

Power Vented, Low Static Axial Fan Unit Heaters

MODEL UDAP

STANDARD FEATURES

- Sizes 30-125 certified for residential heating application
- Sizes 30-400 certified for commercial/industrial heating application
- 82-83% Thermal efficient ~ **TOP in its class!**
- 50-60°F Rise range
- **NEW** TCORE2 ® titanium stabilized aluminized steel heat exchanger
- **NEW** TCORE2 ® single burner combustion system including a one- piece burner assembly (**patent pending**)
- 115/1/60 Supply voltage
- 115 Volt open fan motor with internal overload protection
- Transformer for 24-volt controls
- Integrated circuit board with diagnostic indicator lights
- Multi-try direct spark ignition with 100% lockout
- Fan relay (included on the circuit board)
- Single-stage natural gas valve (field adjustable for operation to 9,000 ft elevation)
- Vibration/noise isolated fan and venter motors ~ **designed for low noise operation**
- 2-pt and 4-pt Suspension ~ **standard on all sizes**
- External terminal strip for 24-volt wiring
- External gas connection
- Full fan guard ~ **engineered for safety**
- Improved cabinet design with less visible hardware and a **NEW** Reznor appearance

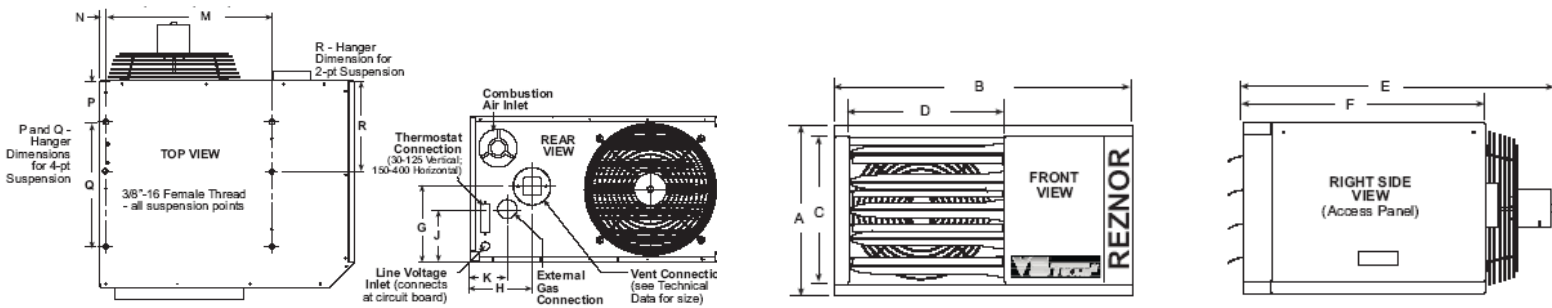


DALLAS STOCK IMMEDIATE SHIP

UDAP Performance Data

MODEL SIZE	RATINGS - Btu/Hr.		Air Volume	Vent Connect.Size	Gas Inlet Size	Approx. Shipping Weight
	INPUT	OUTPUT	CFM		Natural Gas	
UDAP 45	45,000	37,350	629	4	1/2	66
UDAP 75	75,000	62,250	961	4	1/2	79
UDAP 100	105,000	87,150	1345	4	1/2	118
UDAP 125	120,000	99,600	1537	4	1/2	123
UDAP 150	150,000	124,500	1921	5	1/2	204
UDAP 175	175,000	145,250	2242	5	1/2	219
UDAP 200	200,000	166,000	2562	5	1/2	219
UDAP 250	250,000	207,500	3202	5	3/4	257
UDAP 300	300,000	249,000	3843	6	3/4	321
UDAP 400	400,000	332,000	5123	6	3/4	358

Dimensional Drawings



MODEL UDAP DIMENSIONS (± 1/16")

Size	A	B	C	D	E	F	G	H	J	K	M	N	P	Q	R
30, 45	12-1/8	26-5/8	10	13-13/16	26	21-9/16	5-3/16	8-1/2	2-11/16	3-7/8	17-3/8	11/16	4-5/16	13	9-9/16
60	15-1/8	26-5/8	13	13-13/16	27	21-9/16	7-7/8	8-1/2	5-1/2	3-7/8	17-3/8	11/16	4-5/16	13	10-1/2
75	15-1/8	26-5/8	13	13-13/16	27-5/8	21-9/16	7-7/8	8-1/2	5-1/2	3-7/8	17-3/8	11/16	4-5/16	13	10-1/2
100	23-1/8	26-5/8	21	13-13/16	28-5/8	21-9/16	14-1/2	8-1/2	8-3/4	3-7/8	17-3/8	11/16	4-5/16	13	10-1/2
125	23-1/8	26-5/8	21	13-13/16	29-3/8	21-9/16	14-1/2	8-1/2	8-3/4	3-7/8	17-3/8	11/16	4-5/16	13	10-1/2
150, 175, 200	20-1/8	38-3/16	16	23	42	35-3/8	8-1/2	8-1/4	5-7/16	6-1/2	25-11/16	1-3/8	8-3/16	22-3/16	16-3/8
225, 250	26-1/8	38-3/16	22	23	42	35-3/8	13-1/16	8-13/16	9	6-1/2	25-11/16	1-3/8	8-3/16	22-3/16	15-5/8
300, 350, 400	34-1/8	41	30	23	42	35-3/8	17-1/16	9	11-13/16	7-5/16	27-11/16	1-3/8	8-3/16	22-3/16	16-3/16

MODEL UDAP DIMENSIONS (± 2mm)

Size	A	B	C	D	E	F	G	H	J	K	M	N	P	Q	R
30, 45	308	676	254	351	680	548	132	165	68	98	441	17	110	330	243
60	384	676	330	351	688	548	200	165	140	98	441	17	110	330	267
75	384	676	330	351	702	548	200	165	140	98	441	17	110	330	267
100	587	676	533	351	727	548	368	165	222	98	441	17	110	330	267
125	587	676	533	351	748	548	368	165	222	98	441	17	110	330	267
150, 175, 200	511	970	406	584	1067	899	216	210	138	165	652	35	208	564	416
225, 250	664	970	559	584	1067	899	332	224	229	165	652	35	208	564	397
300, 350, 400	887	1041	762	584	1067	899	433	229	300	186	703	35	208	564	411

CLEARANCES

Size	Top		Flue Connector		Access Panel		Non-Access Side		Bottom*		Rear	
	inches	mm	inches	mm	inches	mm	inches	mm	inches	mm	inches	mm
30-125	1	25	6	152	18	457	1	25	1	25	18	457
150-400	4	102	6	152	18	457	2	51	1	25	18	457

*Suspend the heater so that the bottom is a minimum of 5' (1.5M) above the floor.